

**Z1213-N 4" VERTICAL SIPHON JET WATER CLOSET SUPPORT SYSTEM – 2" OR 4" TOP VENT CLOSET FITTING ONLY (NO SUPPORT)**



**ENGINEERING SPECIFICATION**

Zurn Z1213-N4( ) vertical siphon jet water closet provides a rigid system with 4" No-Hub connection and 2" or 4" (specify) top vent connection. Comes complete with Dura-Coated cast iron main fitting, corrosion-resistant, adjustable ABS coupling with integral test cap, bolt kit, and bonded Neo-Seal gasket for floor mounted back outlet water closet. Standard fixture support is not required.

**NOTES**

Minimum "P" dimension obtainable = 1-1/4" [32].

Product Number	A Vent Size	Approximate Weight lb [kg]
Z1213-N42	2 [51]	19 [9]
Z1213-N44	4 [102]	

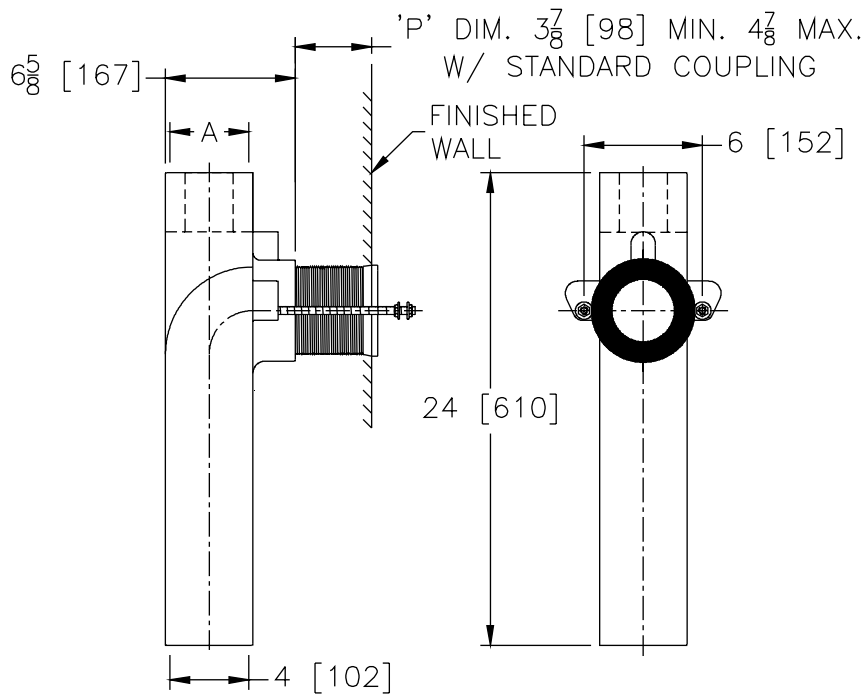
PREFIXES	DESCRIPTION	"A" VENT SIZE	LIST PRICE
<b>Z1213*</b>	D.C.C.I. System with 4" Adjustable Coupling	2"	<b>Combine with Fitting Type for Pricing</b>

FITTING TYPE			
<b>-N42</b>	4" No-Hub, 2" No-Hub Vent		<b>1,455.00</b>
<b>-N44</b>	4" No-Hub, 4" No-Hub Vent		<b>1,455.00</b>

SUFFIXES	ADD
<b>-CC</b>	Corrosion Resistant Cast Iron Coupling - 6" thru 12" long (Cannot be used with -CL) <b>N/C</b>
<b>-CL</b>	Coupling Length Greater than 12" - Per inch (Cannot be used with -CC) <b>102.00</b>

BEST SELLER	LIST PRICE
Z1213-N42	<b>1,455.00</b>

Z1213-N44



\*Regularly furnished unless otherwise specified.

For additional product information, please visit [www.zurn.com](http://www.zurn.com)

Items designated as Best Sellers are most specified and are generally in stock for shipment.

Ⓢ This symbol denotes a product that is engineered to reduce installation and rework time.

For Additional System Tools See "Z1200 Carrier Tools and Accessories" on page 214

INTRO  
 ROOF DRAINS  
 FLOOR DRAINS  
 T, P, BW VALVES  
 INTERCEPTORS  
**CARRIERS**  
 HYDRANTS  
 CLEANOUTS  
 WHA  
 SS DRAINS  
 FAB SS DRAINS  
 SANI-FLOOR  
 TECH INFO